

# Lens TMOS63-10 for TMOS EVK

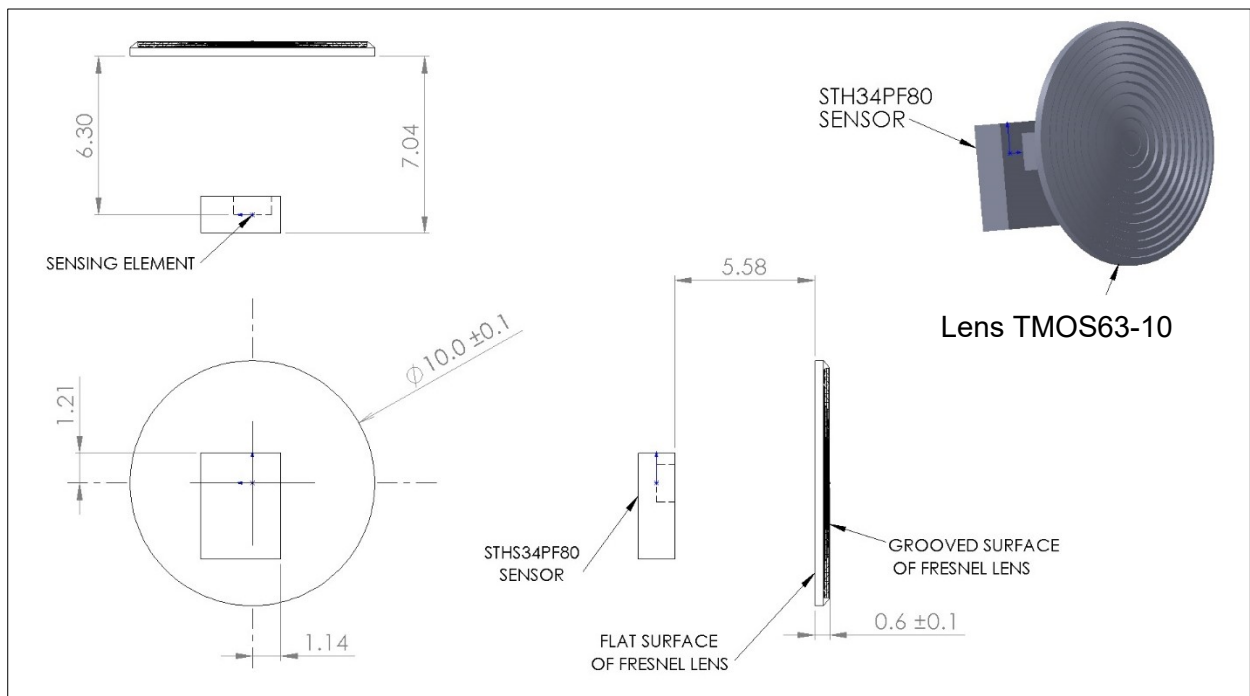
(Long range narrow detection lens)

This document specifies TMOS sensor **STHS34PF80** from STMicroelectronics PCB **TMOS 34PF80 Rev2.1 noled FrontCable** and Lens **PF63-10** from Fresnel Factory Inc.

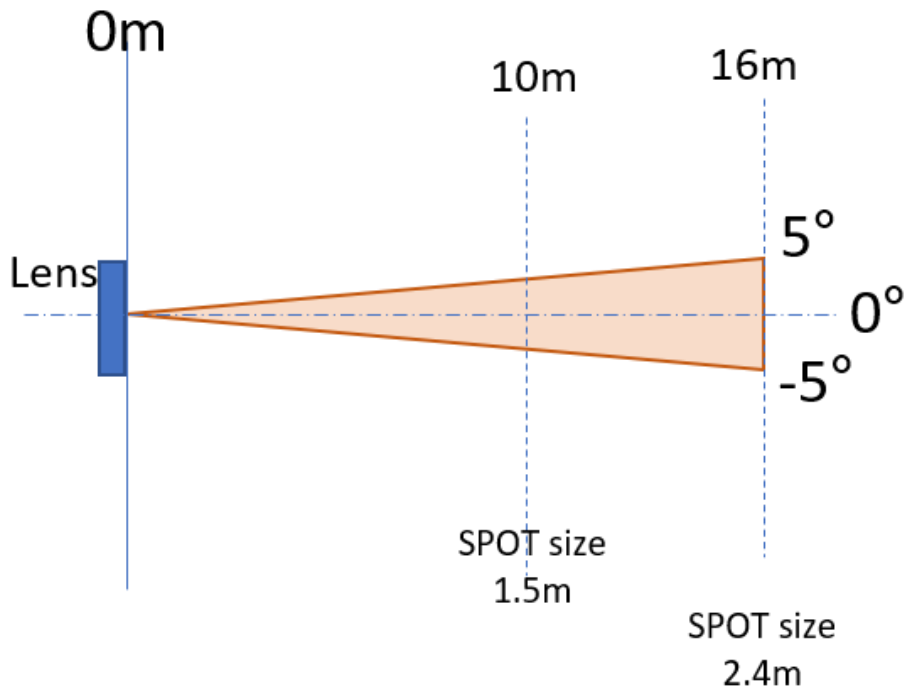
PF63-10 is suitable for people counter, narrow and long-distance detection.

Detection performance can be different according to test setting and room condition. The performance in this document is based on room temperature 25 Celsius,

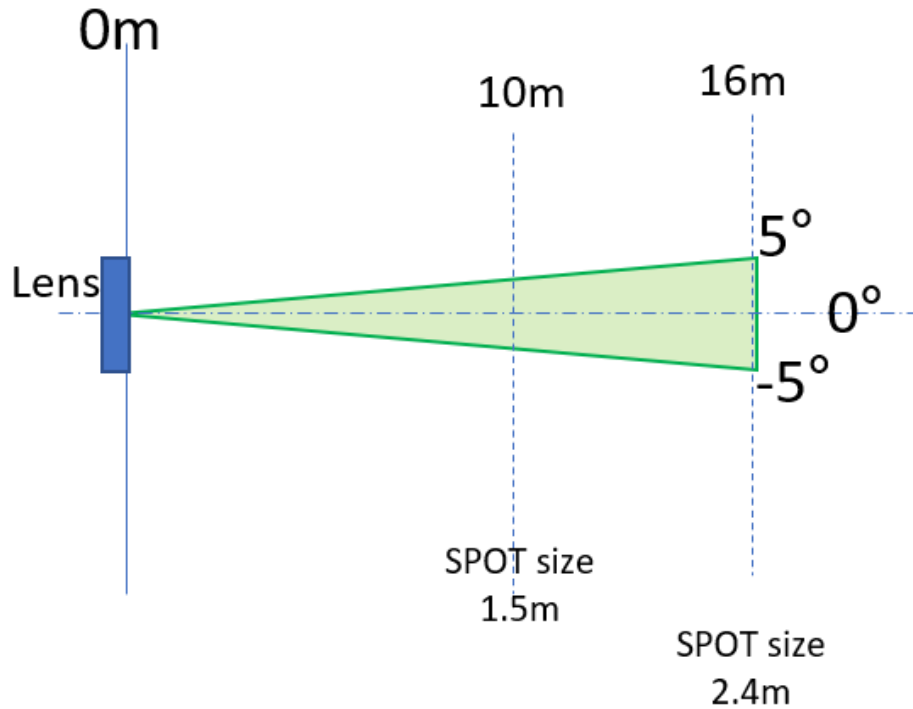
## 1. Dimension and orientation of TMOS63-10 lens



### Top view



### Side View

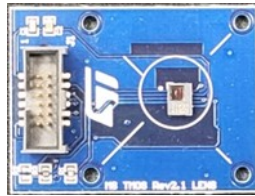


## Lens Housing for EVK with PCB TMOS\_34PF80 Rev2.1\_noled\_FrontCable

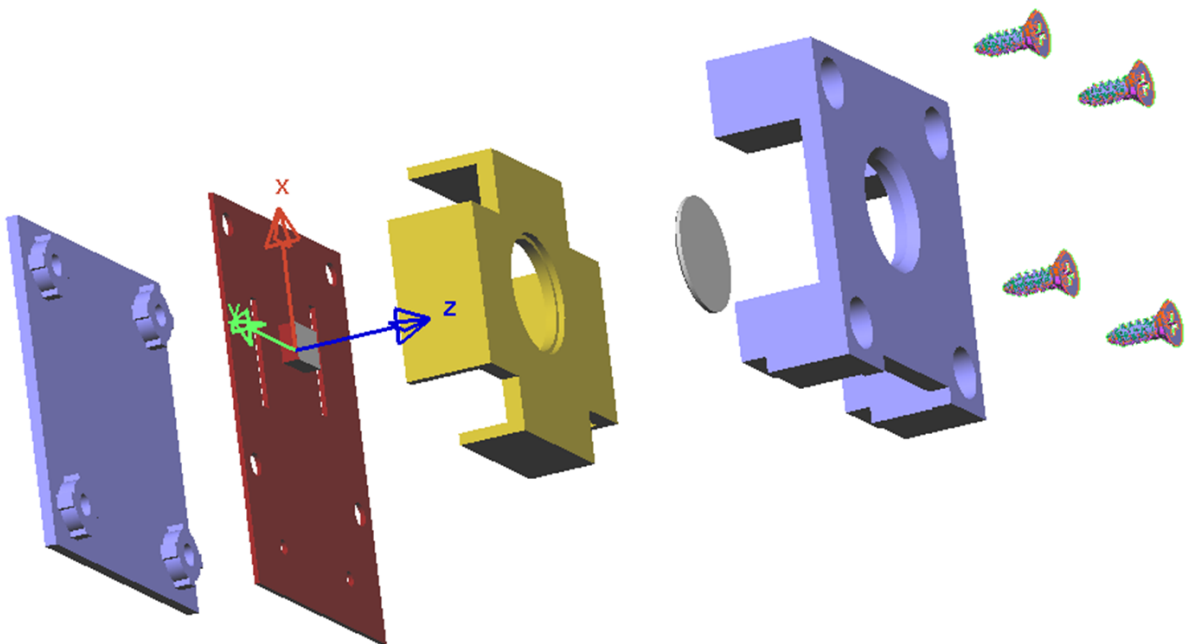
Please download 3D STP file for 3D printing in link below.

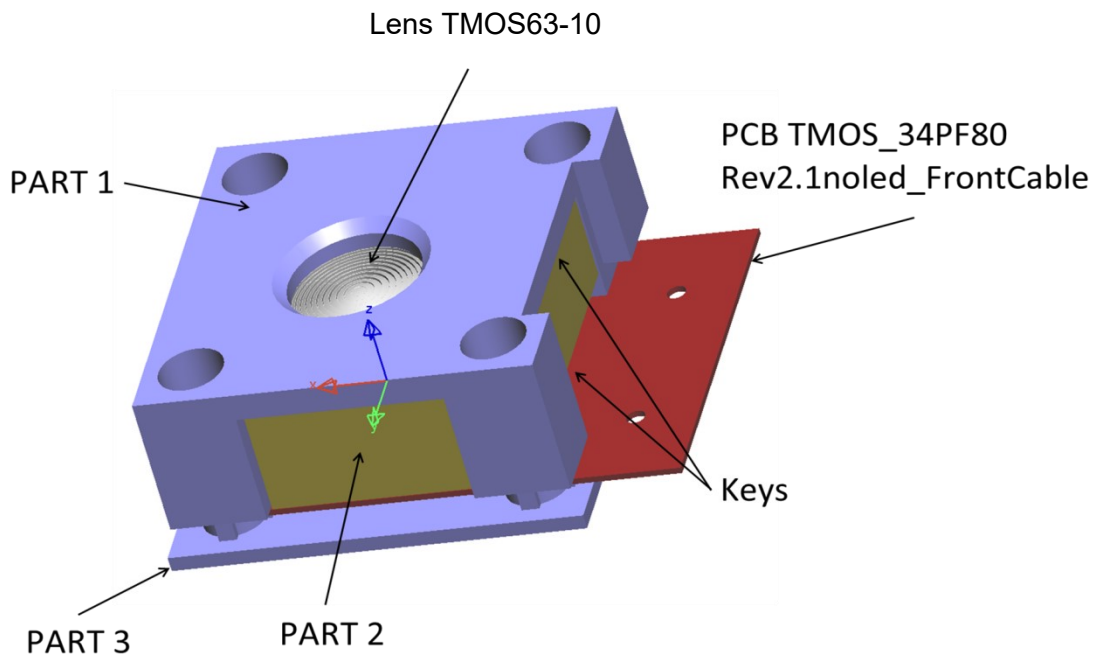
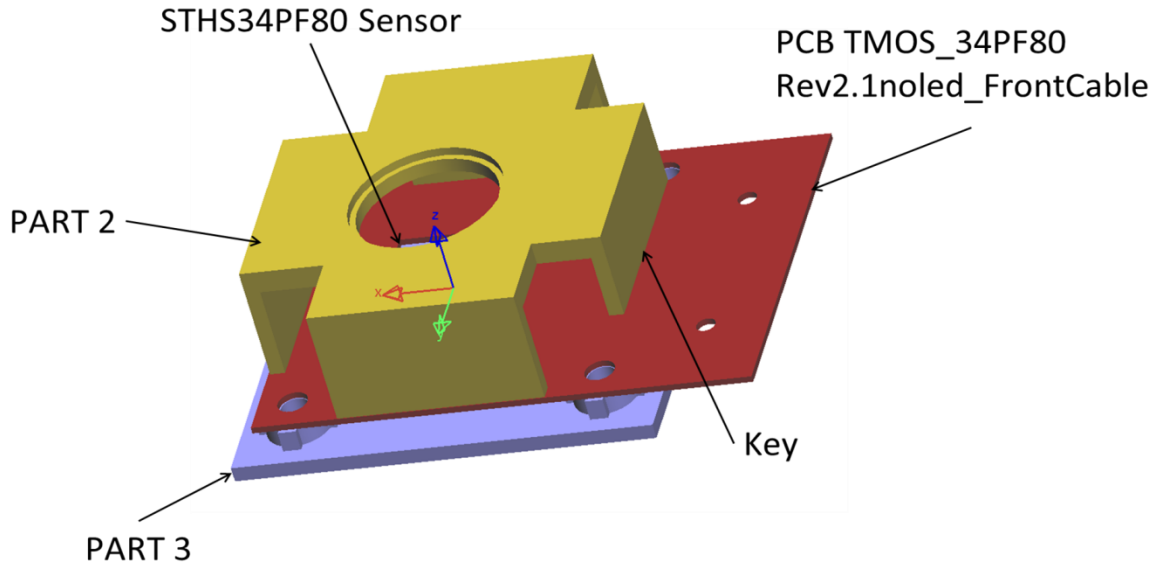
Part 1	Part 2	Part 3
<a href="https://drive.google.com/file/d/1CdaKCOBkDO0d8vxF_-wqXSedAJRJIDMo/view?usp=drive_link">https://drive.google.com/file/d/1CdaKCOBkDO0d8vxF_-wqXSedAJRJIDMo/view?usp=drive_link</a>	<a href="https://drive.google.com/file/d/1eJqL3i9Yc1c5IDETH_VN PqBmxz2wSHE9/view?usp=drive_link">https://drive.google.com/file/d/1eJqL3i9Yc1c5IDETH_VN PqBmxz2wSHE9/view?usp=drive_link</a>	<a href="https://drive.google.com/file/d/1PadlryS2LU9LMBA0Z-0VFDYYtyLIToQo/view?usp=drive_linkvv">https://drive.google.com/file/d/1PadlryS2LU9LMBA0Z-0VFDYYtyLIToQo/view?usp=drive_linkvv</a>

Housing consists 3 Parts with Directional Keys. All keys must be faced to the PCB connector (see picture below). Housing fastened by 4 Philips self-tapping Screws M2x8.



PCB TMOS\_34PF80Rev2.1\_noled\_FrontCable





- Contact  
Fresnel Factory Inc.  
Ashton Myung KIM  
ashton@fresnelfactory.com  
+82 10-5248-4630